



**Simplicity Bubblers**  
Chilled Beverage Dispensers 3x18 L,  
agitator model with locking lid and UK  
plug

ITEM # \_\_\_\_\_

MODEL # \_\_\_\_\_

NAME # \_\_\_\_\_

SIS # \_\_\_\_\_

AIA # \_\_\_\_\_



CCCRL2 (ECS3L22UK) \* NOT TRANSLATED \*

### Main Features

- Agitation function for fresh juices, coffees, or teas with minimal foaming system.
- Easy-off bowl release system for faster and easier assembly and disassembly.
- User friendly design enables machine to dispense product till the very last drop.
- Dispense 3 flavors in 18 L easy-clean bowls with 23 cm cup clearance.

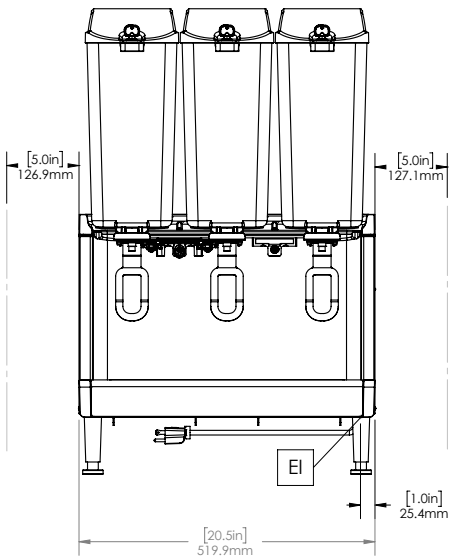
### Construction

- Pre-mix dispenser with stainless steel base and clear plastic bowls.
- Fewer removable parts to simplify cleaning and reduce maintenance.
- Temperature range from 1.7 - 5° C.
- Compact size of 52 cm wide saves valuable counter space.
- Locking lid for added safety against tampering.
- Refrigerant type: R290.

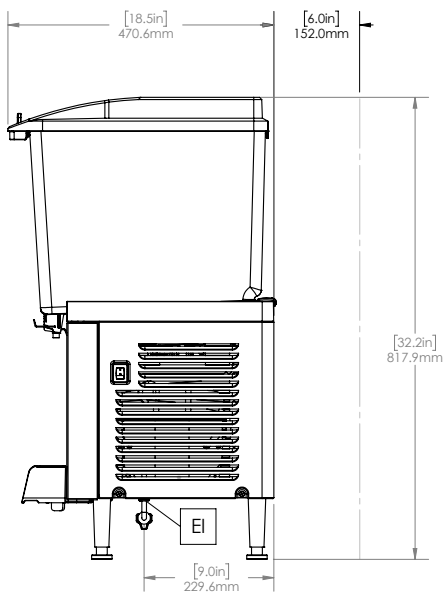
APPROVAL: \_\_\_\_\_



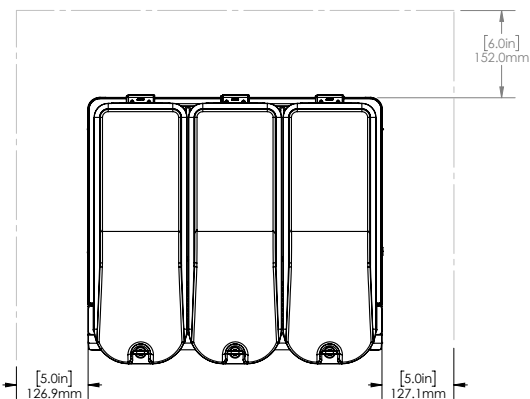
Front



Side



Top



#### Electric

##### Supply voltage:

CCCRL2 (ECS3L22UK) 220-240 V/1N ph/50/60 Hz

##### Electrical power max.:

0.6 kW

#### Key Information:

External dimensions, Width:	518 mm
External dimensions, Depth:	451 mm
External dimensions, Height:	818 mm
Net weight:	33 kg
Shipping weight:	35 kg
Shipping height:	528 mm
Shipping width:	483 mm
Shipping depth:	630 mm

#### Sustainability

Refrigerant type:	R290
Refrigerant weight:	85 g